

DATE: January 26, 2018  
 CATALOG NO. CDP0306

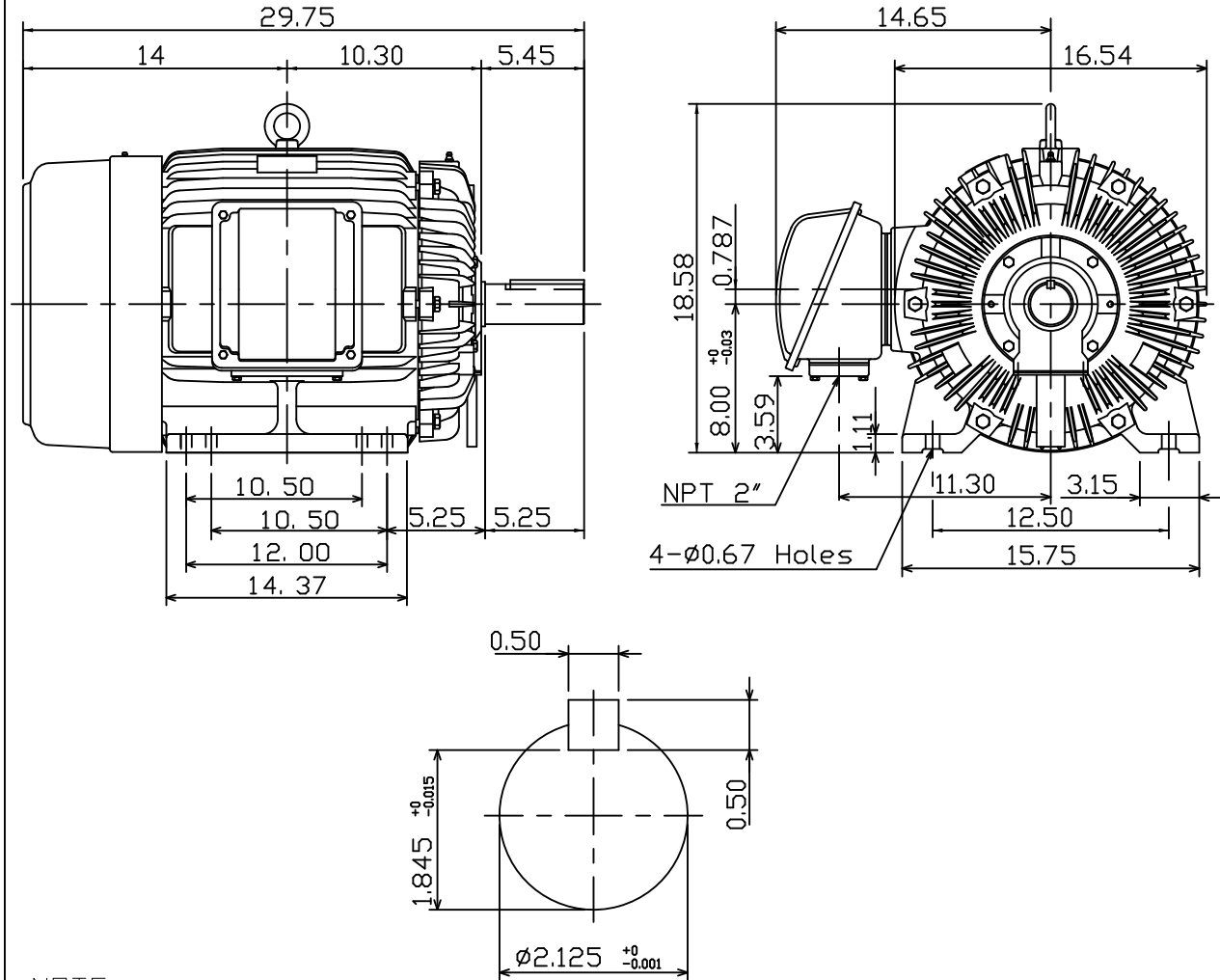
# OUTLINE DIMENSIONS

## 3-PHASE INDUCTION MOTOR

MOTOR TYPE: AEHHGD  
 FRAME NO. 326T

Pole	HP	kW	Hz	VOLT	r/min
6	30	22.4	60	230/460	1200
Ins	Rating	Dimension in	Approx Weight	Bearings	
F	CONT.	inches	775 LBS.	DE: 6312	NDE: 6212

Totally Enclosed Fan-Cooled Type. Squirrel-Cage Rotor.



**NOTE:**

1. ENCLOSURE: IP55
2. SHAFT MATERIAL: SCM440 Q&T (AISI 4140 EQUIV)
3. WITH THERMISTOR: PTC 140°C x 3PCS  
 WIRED IN MAIN TERMINAL BOX



DWG. C.C00K 02-01-18



DWG NO.  
 31057H954580